

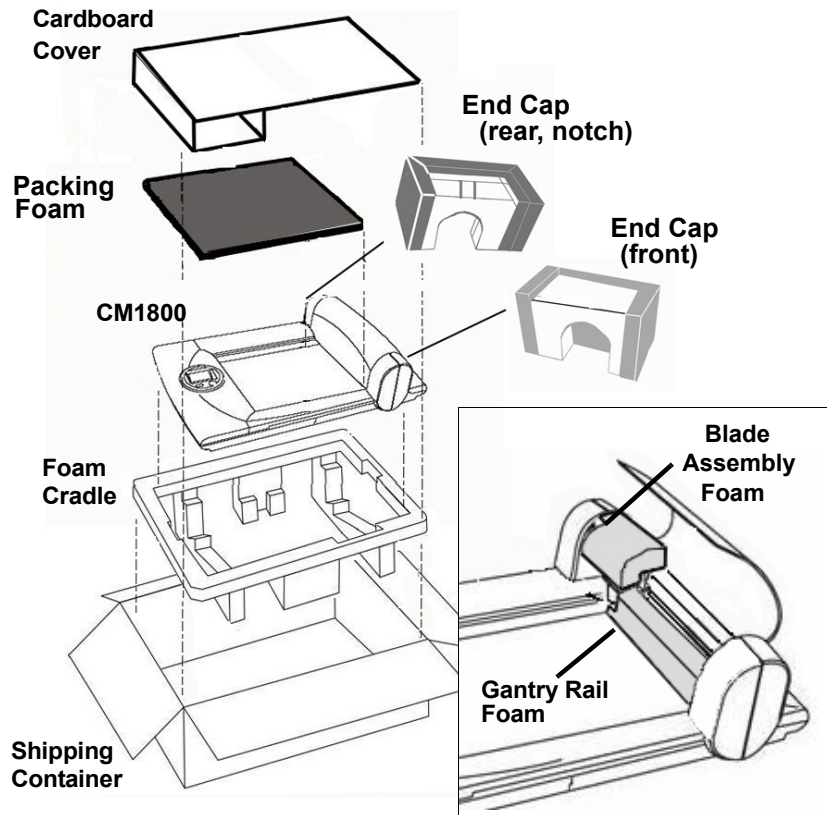
Step 1. Unpack the Cutout Maker

The Cutout Maker and accessories are packed in a cardboard carton with foam padding for protection during shipment. **Carefully unpack the items and keep the packing materials. If you need to ship the Cutout Maker in the future, repack the system as indicated below.**



WARNING

Due to the weight of the unit, we recommend that 2 people lift the Cutout Maker from the carton. To avoid personal injury, use proper lifting techniques when removing the Cutout Maker from the carton.

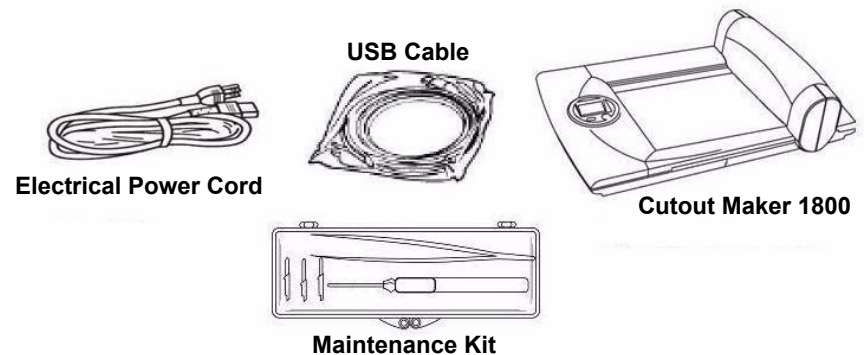


1. Remove the cardboard cover and packing foam.
2. Remove the front and rear endcaps.
3. Carefully remove the Cutout Maker from the foam cradle and shipping container.
4. Open the Cutout Maker cover and remove the foam from the blade assembly and gantry rail.

Note: When repacking: 1) Position the blade assembly and gantry rail foam pieces correctly so they make a snug fit. 2) Position the endcap with the notch on the rear side of the gantry and the other endcap on the front. 3) Position the packing foam so it is snug against the gantry rail and without a gap.

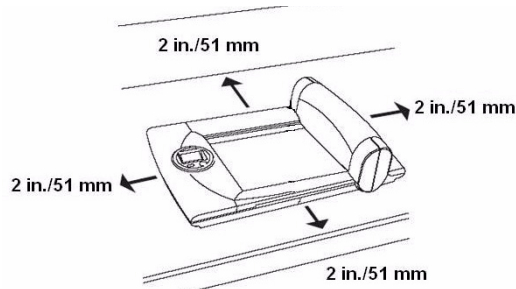
Step 2. Verify the Package Contents

After unpacking, verify that all of the following items were included in the Cutout Maker box. For additional information, refer to the **VariQuest® Cutout Maker 1800 User's Guide** located at www.variquest.com.

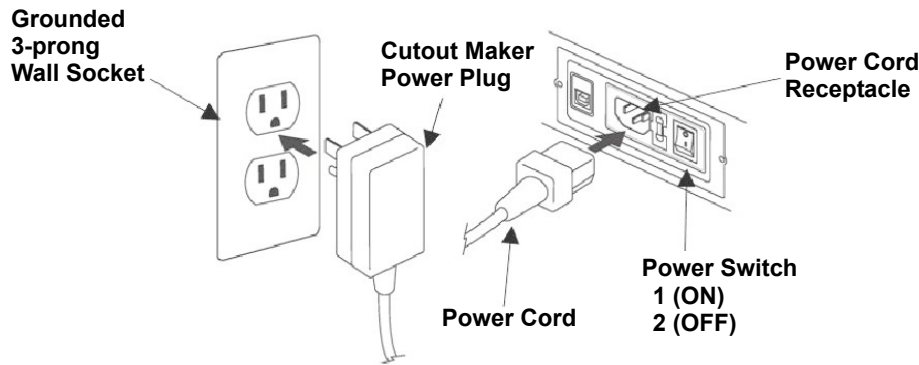


Step 3. Position the Cutout Maker

To ensure proper functioning of the Cutout Maker on a work space, allow adequate space around the system as shown below.



Step 4. Connect the Power Cord



WARNING

Never operate the Cutout Maker in an area where it can get wet. Always connect the power cord to the Cutout Maker before inserting the plug into a wall socket.

Connect the power cord to the Cutout Maker and insert the power plug into a wall socket:

1. Set the power switch to its "0" (OFF) position.
2. Connect the three-prong female connector on one end of the power cord into the male power receptacle on the left side of the Cutout Maker.
3. Plug the other end of the cord into an appropriate AC outlet.

Step 5. Connect the Cutout Maker to a VariQuest® Design Center or Personal Computer

IMPORTANT! Use the USB cable supplied with the Cutout Maker to connect to the **VariQuest Design Center** or a PC. The USB cable complies with FCC "Rules and Regulations," Part 15 for Class A Equipment using fully shielded six-foot data cables. Use of longer cables or unshielded cables may increase radiation emissions above the Class A limits.

Connecting to a VariQuest® Design Center

Connect the Cutout Maker and other peripheral devices to one of the USB ports located on the side or rear of the Variquest Design Center as shown in the illustration.

Connecting to a Personal Computer

The Cutout Maker provides a standard interface for connecting to a computer (USB connector). Connect one end of the cable provided to an available USB connector on the computer, and connect the remaining end to the USB connector on the Cutout Maker.

Step 6. Turn on Power and Load the Software

1. Power up the Cutout Maker and the Design Center or personal computer. Refer to the **VariQuest Cutout Maker 1800 User's Guide** located at www.variquest.com.
2. Install the **VariQuest Design Center Software** if it has not yet been installed in the Design Center or personal computer. Refer to the **VariQuest Design Center Software User's Guide** located at www.variquest.com.

Repacking Instructions

When preparing the Cutout Maker for shipping, follow these instructions:

1. Disconnect the power cord and USB.
2. Reverse the unpacking instructions illustrated in Step 1.